



PANORAMIC P27.6 AU PLUS



MERLO

PERFORMANCE AND FEATURES

P27.6 AU PLUS

PERFORMANCE

Total unladen weight (kg)	4850
Maximum capacity (kg)	2500
Lifting height (m)	5,9
Maximum reach (m)	3,3
Maximum operating height (m)	4,5
Maximum operating reach (m)	1,2
Capacity at maximum height (kg)	1500
Capacity at maximum reach (kg)	900
Lateral boom movement (mm)	-
Tilting correction (%)	-
Boom sections	2

POWERTRAIN

Turbo motor	KOHLER KD2504 TCR
Displacement/cylinders	2500/4
Engine Power (kW/HP)	55,4/75,1
Anti-pollution technology	TIER 4 - DOC
Reversible fan	-
Maximum speed (km/h)	40
Fuel tank (l)	70
AdBlue tank (l)	-
Hydrostatic transmission	● - 1V
EPD	-
Auto-revving joystick	-
Axles - Reducers	Axial, Epicyclic
Machine brakes	Dry disc
Automatic parking brake	●

HYDRAULIC

Hydraulic pump	Gear
Flow rate/pressure (l/min – bar)	95-210
Hydraulic tank	70
Hydraulic outlet at the top of the boom	●
Rear hydraulic outlets	○

CAB

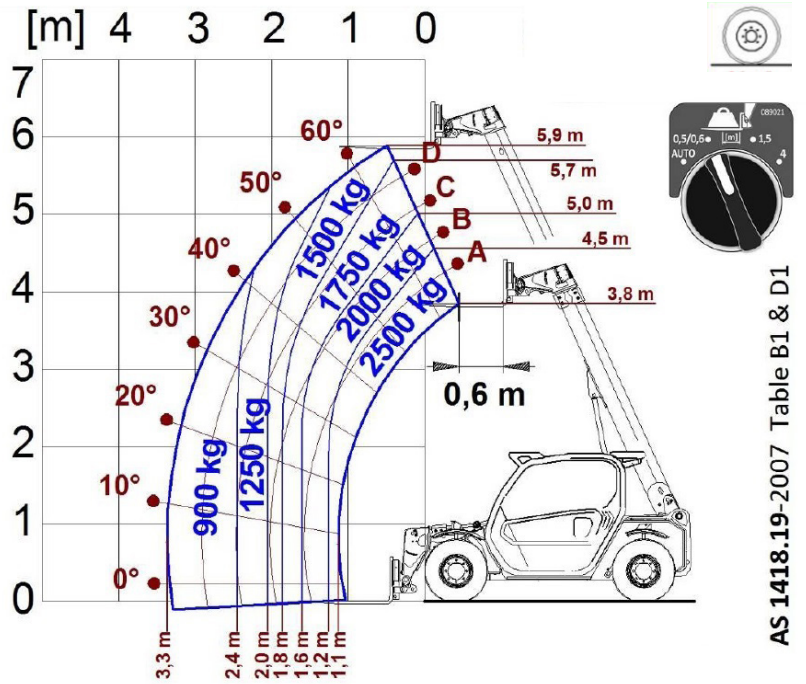
Cab configuration	ECO
ASCS Adaptive Stability Control System	Full
FOPS LIV II cab	●
ROPS cab	●
Cab commands	Electromechanic joystick
Tilting Cab	-
Reverse shuttle	Finger touch

CONFIGURATION

Cab suspension	-
Boom suspension	●
Suspension on axles	-
Work headlights on cab	●
Sun blind	●
Tac-lock	●
Provision for a platform	○
Two floating forks	●
Inching-Control	●
Four-wheel drive	●
Four-wheel steering	●
Three steering modes	●
Standard tyres	12.0/75-18"
Optional tyres	-
Stabilisers	-
Turret rotation	-
Type approval as an agricultural tractor	-
Approval with PNEUMATIC braking	-
Approval with HYDRAULIC braking	-
PTO	-
3-point linkage	-

- Not Available. ● standard. ○ optional.

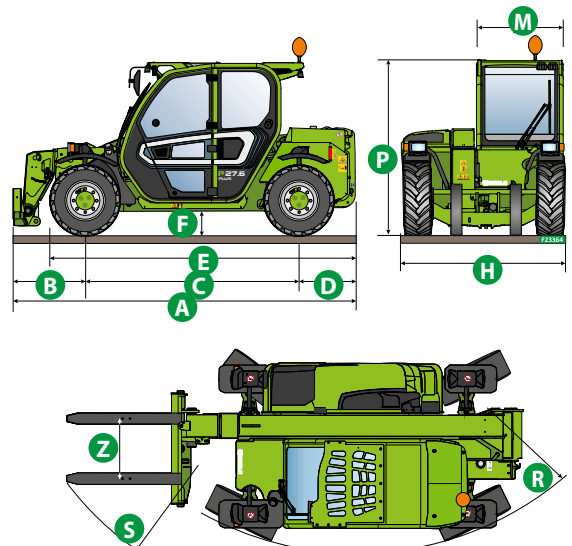
LOAD CHARTS



P27.6AUPLUS

DIMENSIONS

	P27.6 AU PLUS		
A (mm)	3910		
B (mm)	820		
C (mm)	2450		
D (mm)	640		
E (mm)	3495		
F (mm)	270		
H (mm)	1860		
M (mm)	1010		
P (mm)	2020		
R (mm)	3370		
S (mm)	4200		
Z (mm)	850		





MERLO GROUP AUSTRALIA PTY LTD

27 Colin Jamieson Dve, Welshpool (Perth), WA 6106
Tel. (08) 9358 3110 - Fax (08) 9358 4110

120 Toongabbie Road, Girraween, NSW 2145
Tel. (02) 9688 0600

Tel:1300 657 325

info@merloaustralia.com.au

www.merlo.com

Your Merlo dealer

DS_P27.6AUPLUS_0621_AUS