



ZHEJIANG HANGCHA IMP. & EXP. CO., LTD.

Factory site: 666 Xiangfu Road,
Hangzhou, Zhejiang, China (311305)

Tel: +86-571-88926735 88926755
Fax: +86-571-88926789 88132890

sales@hcforklift.com
www.hcforklift.com



Follow us on
Facebook



Follow us on
YouTube



Follow us on
WeChat



Download "Hangcha
Forklift" App



ISO14001
ISO14001:2015



ISO9001
ISO9001:2015



HANGCHA trucks conform
to the European Safety
Requirements.

2020 VERSION 1/COPYRIGHT 2020/05

HANGCHA GROUP CO., LTD. reserves the right to make any changes without notice concerning colors, equipment, or specifications detailed in this brochure, or to discontinue individual models. The colors of trucks, delivered may differ slightly from those in brochures.



A Series High Range Stand-on Pallet Stacker With Reach Fork

with capacities of 1,200 to 1,600kg

The World of Hangcha



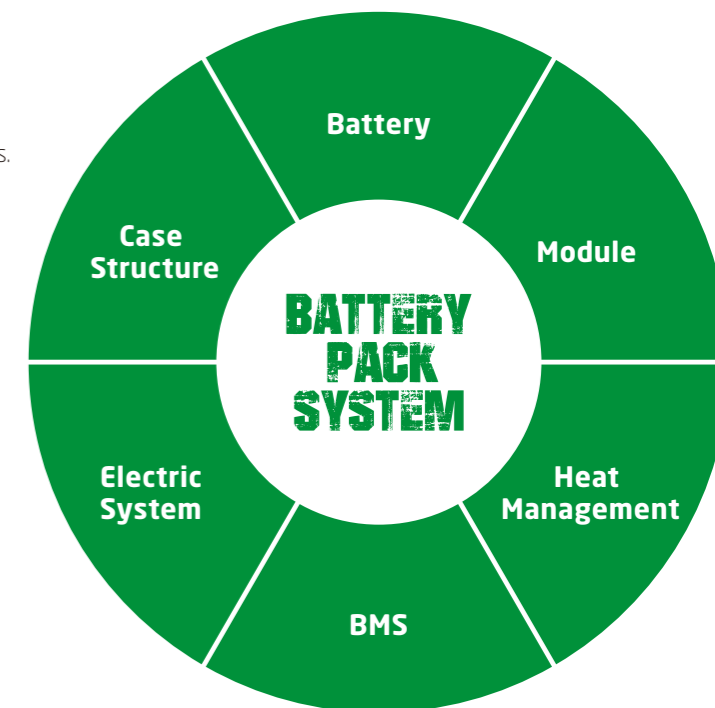
LET THE LIUM POWER BE REEL



INNOVATIVE SOLUTIONS NEW POWER NOW

Innovative, reliable lithium-ion technology (Lithium Iron-Phosphate), which are developed jointly by HANGCHA and CATL. Battery cells and modules are from CATL, with reliable quality, exclusively for HANGCHA.

- / We use square lithium iron phosphate batteries and modules used in large quantities by commercial vehicles in mature economies.
- / The module uses an aluminum alloy frame which is sturdy, lightweight and with excellent heat dissipation.
- / Safe and effective: Charging efficiency as high as 98%, thermal runaway temperature 600 °C or above.
- / Adapted to low temperatures: Comes standard with an electrical heating feature, ensuring normal operation in low temperatures.
- / Quick charging: 2 hours full charge, economic use of each break.
- / Long-working: 4000 charging cycles, capacity retention greater than 80%.
- / Maintenance-free: Battery does not require manual maintenance.
- / Green and clean: Pollution-free, zero emissions.



Li-Ion
2 hours
100%

Lead-acid batteries
8-10 hours 100%

Rapid charging and opportunity charging ensure continuous availability of vehicles.

Li-Ion powered forklifts are always available. They allow for fast full charging or boost charging (100 % charge in 2 hours). They are maintenance free and do not require a battery change when used for multi-shift operations.

Li-Ion Battery Pack specification

Type		CQDB12-AC15-IJ	CQDB16-AC15-IJ
Li-Ion battery	V/Ah	24/120	24/120
Li-Ion battery,Optional	V/Ah	24/202	24/202
Titans charger		SPC-24100	SPC-24100



HANGCHA provides Li-Ion battery (LiFePO4) with 5 years or 10000 hours warranty.



A Series High Range Stand-on Pallet Stacker With Reach Fork

The A series pallet stacker with reach fork moves goods forward and backward with a scissor fork extension system. It acts as a counterbalanced stacker when its fork is extended, which can handle non-standard pallets, enclosed pallets, and enclosed shelves easily; and acts as a straddle stacker when its fork is retracted, which can operate flexibly in narrow passage.

Easy/ Efficiency/ Economy

Reliability

- / All plug connectors are imported and waterproof, and all cables have reliable protection, which increases reliability of electrical system significantly.
- / Non-contact proximity switch features long service life and reliable operation.
- / Power plug is fastened to truck body, which can avoid damage of plug due to impact when battery is lifted for installation.
- / Flexible connections of the battery can avoid disconnection fault of battery because of lasting vibration.



High Performance

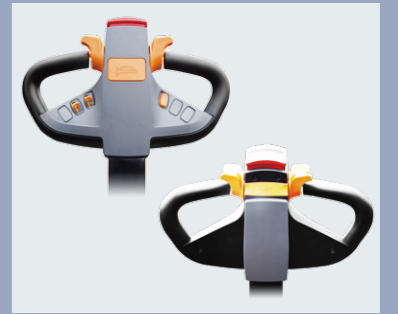
- / EPS (Electric Power Steering) system offer easier and more flexible operation.
- / The AC driving motor features excellent acceleration performance, outstanding climbing ability, low heat emission, and is brushless, and maintenance-free.
- / The latest CURTIS AC / ZAPI AC control system realizes accurate and stable control, and higher efficiency.
- / The CANBUS structure makes communication of the entire machine faster and more reliable.
- / Regenerative brake of the truck prevents it from sliding on a slope.
- / Switches, plug connectors, meters, and other important parts are all imported from abroad, with excellent performance and reliable quality.
- / Fork tilting function, and load backrest realize safer loading and unloading of goods.
- / The hydraulic power unit features low noise, small vibration, and stable and reliable lifting and lowering.

Comfort

- / The vibration-reduction design of the pedal reduces fatigue of long-duration operation.
- / New designed tiller has beautiful appearance, and function buttons for comfortable operation.
- / The standard configuration of tortoise speed driving function allows the truck to move at slow speed more easily.

Safety

- / Traveling speed will be automatically reduced after fork lifting 500mm.
- / Turning speed is automatically reduced when steering.
- / The integrated stamping molded guardrail offers better protection for the operator.
- / Release braking, reverse braking and emergency braking can ensure safety of traveling.
- / Anti-sliding function on slope can ensure safety of operation.
- / The belly button on top of operating tiller can avoid the driver from injury effectively.
- / The soft landing system reduces lowering speed automatically when height from ground to fork is less than 100mm, which provides effective protection for goods.



Multi-function tiller



Forks move forward by the scissor structure



Back cover can be opened fully



Proportional controlled forks can be operated more accurately

Maintenance

- / The brushless, maintenance-free AC driving motor reduces operation cost significantly.
- / The meter integrating battery indicator, timer, and fault self-diagnosis is convenient for maintenance.
- / Back cover can be opened fully, and all components and parts are clear at a glance, which is very convenient for maintenance of the entire machine.

Standard specification

- / AC driving motor
- / CURTIS / ZAPI controller for traction motor
- / Controller for pump motor
- / EPS(Electric Power Steering) system
- / Automatic deceleration at turns
- / Proportional speed regulation for all fork operations
- / Pedal and guardrail
- / Emergency power off switch
- / Multi-function battery condition meter
- / High-performance loading wheels
- / Fork length 1070mm
- / Traveling speed will be automatically reduced after fork lifting 500mm
- / Adjustable outer distance of forks within the range of 200-896mm
- / Battery capacity: 280Ah for 1.2t model, 340Ah for 1.6t model
- / Fork tilt forward / backward 3°/5°
- / Load backrest
- / 2.7m duplex mast with double lifting cylinders
- / Soft landing system
- / Multi-function tiller
- / Reach distance of fork:590mm



Options

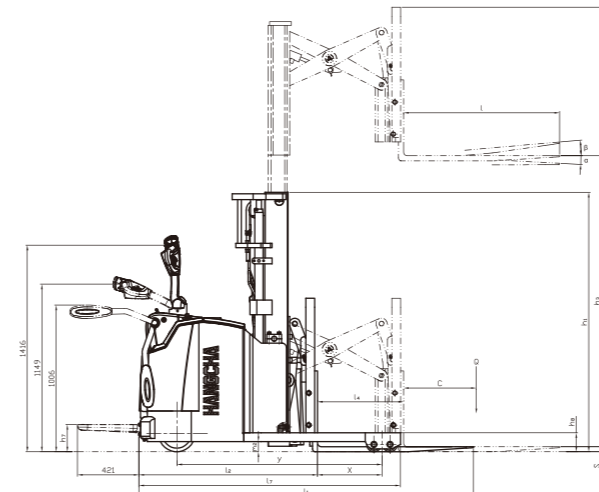
- / Mast height: 2500-4500mm for duplex mast, 3500-5500mm for triplex mast
- / Various fork lengths
- / Sideshift move LH/RH:60mm

1.2t/1.6t Mast specification

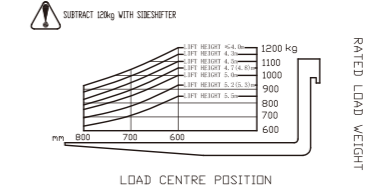
Type	Fork lift height h ₃	Mast lowered h ₁	Mast extended h ₄	Free lift height	Capacity	
					Load capacity at 600mm	
	mm	mm	mm	mm	1.2t kg	1.6t kg
Wide view mast	2500	1940	3552	0	1200	1600
	2700	2040	3752	0	1200	1600
	3000	2190	4052	0	1200	1600
	3300	2340	4352	0	1200	1600
	3500	2440	4552	0	1200	1600
	3600	2490	4652	0	1200	1550
	3700	2540	4752	0	1200	1500
	3800	2590	4852	0	1200	1500
	4000	2790	5052	0	1200	1430
	4300	2940	5352	0	1150	1360
Wide view full free triplex mast	4500	3040	5552	0	1100	1300
	3500	1975	4552	923	1200	1600
	3700	2040	4752	988	1200	1500
	4000	2140	5052	1088	1200	1430
	4300	2240	5352	1188	1150	1360
	4500	2290	5552	1238	1100	1300
	4700	2390	5752	1338	1050	1220
	5000	2490	6062	1438	1000	1130
5200	2540	6252	1488	930	1050	
5500	2640	6552	1588	850	950	

A Series High Range Stand-on Pallet Stacker With Reach Fork

		HANGCHA GROUP CO.,LTD.			
Distinguishing marks	1.1	Manufacturer	CQDB12-AC1S-J / CQDB12-AZ3S-J		
	1.2	Manufacturer's type designation	CQDB16-AC1S-J / CQDB16-AZ3S-J		
	1.3	Drive: electric (battery or mains), diesel, petrol, fuel gas	Electric		
	1.4	Operator type: hand, pedestrian, standing, seated, order-picker	Standing		
	1.5	Rated capacity/rated load	1200 / 1600		
	1.6	Load centre distance	c (mm) 600		
	1.8	Load distance, centre of drive axle to fork	x (mm) 442		
	1.9	Wheelbase	y (mm) 1384		
	Weight	2.1	Service Weight	kg 1870 / 2000	
3.1		Tyres: solid rubber, superelastic, pneumatic, polyurethane	Polyurethane / Polyurethane		
Tyres, chassis	3.2	Tyre size, front	mm φ230×75 / φ250×100		
	3.3	Tyre size, rear	mm φ100×70 / φ100×70		
	3.5	Wheels, number front / rear (x = driven wheels)	1×/4 / 1×/4		
	3.6	Tread, front	b ₁₀ (mm) 0		
	3.7	Tread, rear	b ₁₁ (mm) 1170 / 1170		
	4.1	Tilt of fork carriage forward/backward	α/β(°) 3/5 / 3/5		
	4.2	Height, mast lowered	h ₁ (mm) 2040 / 2040		
Dimensions	4.4	Lift	h ₃ (mm) 2700 / 2700		
	4.5	Height, mast extended	h ₄ (mm) 3752 / 3752		
	4.8	stand height	h ₇ (mm) 185 / 185		
	4.10	Height of wheel arms	h ₈ (mm) 130 / 130		
	4.19	Overall length	l ₁ (mm) 2295 / 2295		
	4.20	Length to face of forks	l ₂ (mm) 1225 / 1225		
	4.21	Overall width	b ₁ /b ₂ (mm) 800/1270 / 800/1270		
	4.22	Fork dimensions	s/e/l (mm) 35/100/1070 / 35/100/1070		
	4.24	Fork-carriage width	b ₃ (mm) 920 / 920		
	4.25	Distance between fork-arms	b ₅ (mm) 200-896 / 200-896		
	4.26	Distance between wheel arms	b ₄ (mm) 1070 / 1070		
	4.28	Reach distance	l ₄ (mm) 590 / 590		
	4.32	Ground clearance, centre of wheelbase	m ₂ (mm) 70 / 70		
	4.34.1	Aisle width for pallets 1000 x 1200 crossways	A _{st} (mm) 2701 / 2701		
	4.34.2	Aisle width for pallets 800 x 1200 lengthways	A _{st} (mm) 2739 / 2739		
	4.35	Turning radius	W _a (mm) 1682 / 1682		
	4.37	Length across wheel arms	l ₇ (mm) 1794 / 1794		
	Performance data	5.1	Travel speed, laden/unladen	km/h 5.5/6.0 / 5.5/6.0	
		5.2	Lift speed, laden/unladen	m/s 0.100/0.130 / 0.090/0.120	
5.3		Lowering speed, laden/unladen	m/s 0.180/0.165 / 0.165/0.150		
5.4		Reaching speed, laden/unladen	m/s 0.115/0.165 / 0.115/0.165		
5.8		Max.gradeability, laden/unladen	% 6/10 / 6/10		
5.10		Service brake	Electromagnetic braking / Electromagnetic braking		
Electric-engine	6.1	Drive motor rating S2 60 min	kW 1.5 / 3		
	6.2	Lift motor rating at S3 15%	kW 3 / 3		
	6.4	Battery voltage/nominal capacity K5	V/Ah 24/280 / 24/340		
	6.5	Battery weight	kg 250 / 280		
	Addition data	8.1	Type of drive control	AC CURTIS / AC ZAPI / EPS	
10.5		Steering design	EPS / EPS		



RATED CAPACITIES AND LOAD CENTRES GRAPH



RATED CAPACITIES AND LOAD CENTRES GRAPH

